

ABOUT BROOKLINE PATCH FITTINGS

DESIGN

- Brookline Patch Fittings Are Designed in Various Configuration to Offer Maximum Configuration Options
- Brookline Patch Fittings Are Designed For Simplified Tempered Glass Configuration
- All Patch Fittings are supplied with Gasketing
- Internal Chassis Constructed of Aluminum Strength and Corrosion Resistance
- Covers Are Constructed of Stainless Steel

PERFORMANCE

- Brookline Patch Fittings Have a 5 Year Mechanical Warranty
- All Brookline Patch Fittings Have a Two Year Finish Warranty

SAFETY Technical Notes:

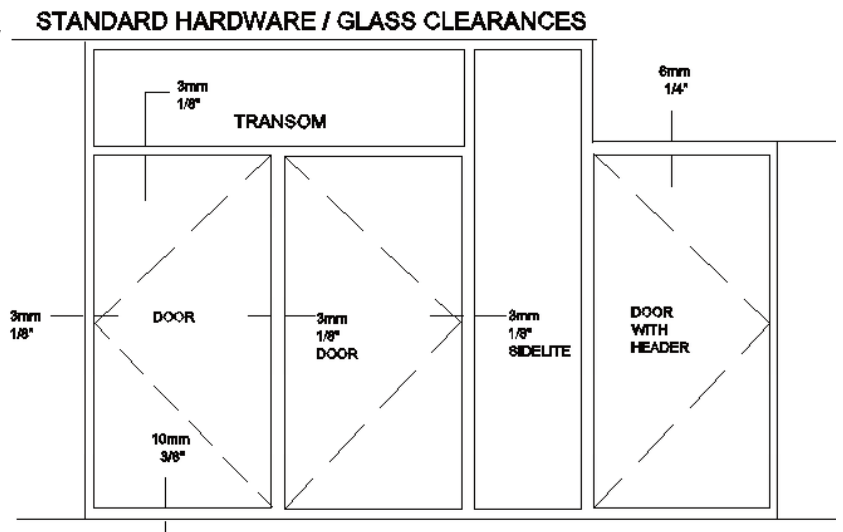
- Maximum Door Weight: 176lbs. (80kg) Maximum Door Width: 43" (1100mm)
- For doors weighing over 176 lbs. (80kg) and up to 264 lbs. (120 kg), or doors with widths over 43"(1100mm) and up to 55" (1400mm), door rails should be used
- **Glass Aspect Ratio:**
Panel height not to exceed seven times panel width (7:1)
- **Support Fins:**
As a general guide, when the height of the transom, plus the width of the side panel exceeds a total of 47" (1200mm) a Support Fin is needed. This will cope with loads imposed on the assembly by the action of the door, or doors, and external wind loads. the Support Fins will be securely fixed to a suitably rigid structure at the top of the assembly.

INSTALLATION NOTE:

Due To The Danger of Handling and Fragility of Tempered Glass Only a Qualified Installer Should Install or Repair Any Glass Wall or Door System.

Hardware & Clearance Notes:

- 1) Clearances are for Typical Conditions with Plumb and Square Openings
- 2) Floor Clearance Applies For Manual Pivot Or Floor Closers
- 3) Add For Threshold Thickness As Required



TYPICAL PATCH FITTINGS APPLICATIONS



Single Door with Patch Fittings No Lock



Single Door with Patch Fittings With Lock



Single Door with Patch Fittings, Closer No Lock



Single Door with Patch Fittings, Closer, Lock



Single Door with Fixed Transom, Patch Fittings No Lock



Single Door with Fixed Transom, Patch Fittings With Lock



Single Door with Fixed Transom, Patch Fittings, One Sidelite, No Lock



Single Door with Fixed Transom, Patch Fittings, One Sidelite, With Lock



Single Door with Fixed Transom, Patch Fittings, Two Sidelites, No Lock



Single Door with Fixed Transom, Patch Fittings, Two Sidelites With Lock



Double Door with Fixed Transom, Patch Fittings, No Lock



Double Door with Fixed Transom, Patch Fittings, With Lock



Double Door with Fixed Transom, Patch Fittings, One Sidelite, No Lock



Double Door with Fixed Transom, Patch Fittings, One Sidelite With Lock



Double Door with Fixed Transom, Patch Fittings, Two Sidelites, No Lock



Double Door with Fixed Transom, Patch Fittings, Two Sidelites, With Lock



NORTH AMERICAN AND EUROPEAN STYLE LOCKS

PF-NALFS

Patch Lock with Floor Strike
Accepts US Profile Cylinder



PF-NALUS

Patch Lock with Universal Strike
Accepts US Profile Cylinder



Available 605, 629, 630 Please Specify When Ordering

Technical Note: Can Be Side or Top Rail Mounted

PF-EULFS

Patch Lock with Floor Strike
Accepts Euro Profile Cylinder



PF-EULUS

Patch Lock with Universal Strike
Accepts Euro Profile Cylinder



Available 605, 629, 630 Please Specify When Ordering

Technical Note: Can Be Side or Top Rail Mounted

EUROPEAN STYLE MINI LOCKS

PF-EUMLFS

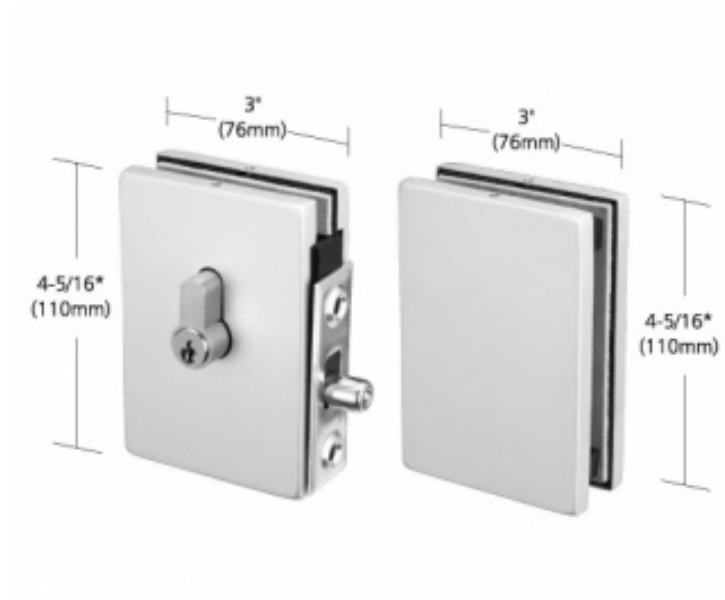
Mini Patch Lock with Floor Strike
Accepts Euro Profile Cylinder



Available 605, 629, 630 Please Specify When Ordering

PF-EUMLUS

Patch Lock with Universal Strike
Accepts Euro Profile Cylinder



Technical Note: Can Be Side or Top Rail Mounted

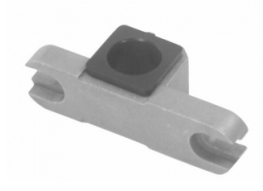
Available 605, 629, 630 Please Specify When Ordering

Model No Description	Model No Description
-------------------------	-------------------------

PF-TDTP-234
Top Patch Fitting For Pivot
With TPI Insert Included
 2 3/4" (70mm) Backset



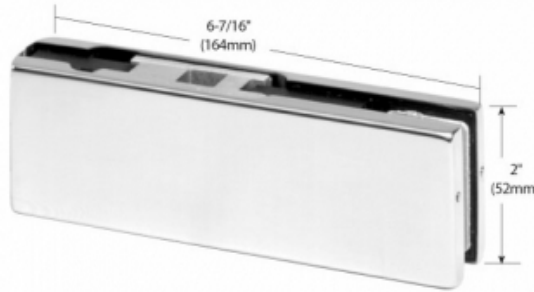
PF-TPI
 Top Door Pivot Insert



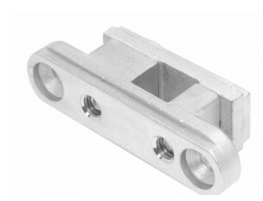
PF-TDTP-2916
Top Patch Fitting For Pivot
With TPI Insert Included
 2 9/16" (65mm) Backset

Available 605, 629, 630 Please Specify When Ordering

PF-TDTC-234
Top Patch Fitting For Pivot
With TCI Insert Included
 2 3/4" (70mm) Backset



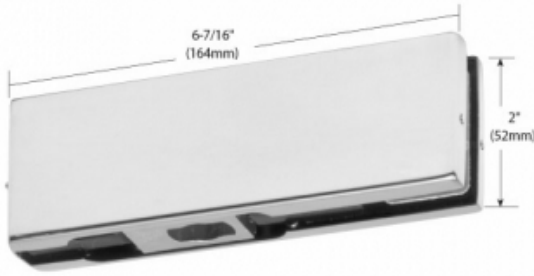
PF-TCI
 Top Door Transom Insert



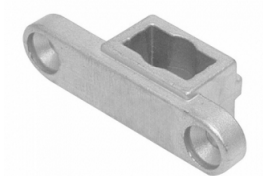
PF-TDTC-2916
Top Patch Fitting For Pivot
With TCI Insert Included
 2 9/16" (65mm) Backset

Available 605, 629, 630 Please Specify When Ordering

PF-BDBP-234
Bottom Patch For Bottom Pivot
With BPI Insert Included
 2 3/4" (70mm) Backset



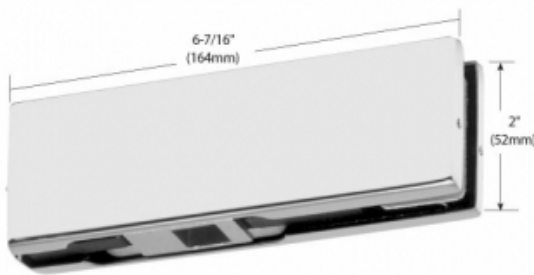
PF-BPI
 Bottom Door Pivot Insert



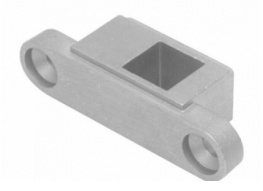
PF-BDBP-2916
Bottom Patch For Bottom Pivot
With TPI Insert Included
 2 9/16" (65mm) Backset

Available 605, 629, 630 Please Specify When Ordering

PF-BDFC-234
Bottom Patch For Floor Closer
With BFCI Insert Included
 2 3/4" (70mm) Backset



PF-BFCI
 Bottom Door Floor Closer Insert



PF-BD-2916
Bottom Patch For Floor Closer
With TCI Insert Included
 2 9/16" (65mm) Backset

Available 605, 629, 630 Please Specify When Ordering

Transom Top Pivots



Model No
Description

Model No
Description

PF-SLMTP

Sidelite Mounted Top Pivot
With TTPI Insert Included
Non Handed
2 3/4" (70mm) or 2 9/16" (65mm)
Backset (Field Adjustable)



PF-TTPI

Transom Top Pivot Insert



Available 605, 629, 630 Please Specify When Ordering

PF-WMTP

Wall Mounted Transom Pivot
With TTPI Insert Included
Non Handed
2 3/4" (70mm) or 2 9/16" (65mm)
Backset (Field Adjustable)



PF-TTPI

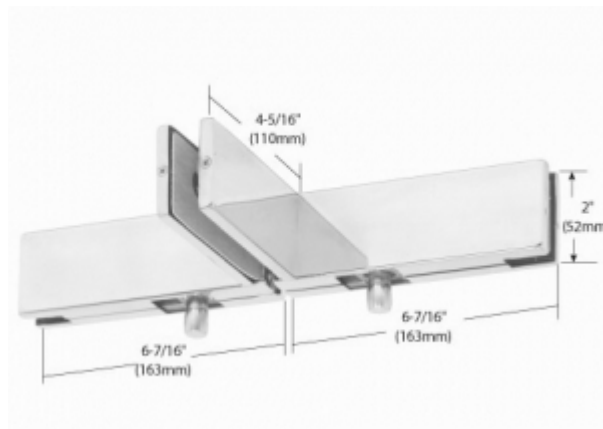
Transom Top Pivot Insert



Available 605, 629, 630 Please Specify When Ordering

PF-SLMTP

Sidelite Mounted Top Pivot
With 2 TTPI Inserts Included
Non Handed
2 3/4" (70mm) or 2 9/16" (65mm)
Backset (Field Adjustable)



PF-TTPI

Transom Top Pivot Insert



Available 605, 629, 630 Please Specify When Ordering

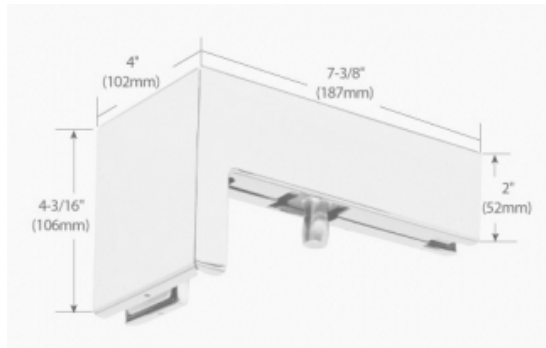


Transom Top Pivots

Model No Description	Model No Description
-------------------------	-------------------------

PF-SLTP90LH

**Sidelite Mount 90° Top Pivot
With TTPI Insert Included**
2 3/4"(70mm) or 2 9/16"(65mm)
Backset (Field Adjustable)



Available 605, 629, 630 Please Specify When Ordering

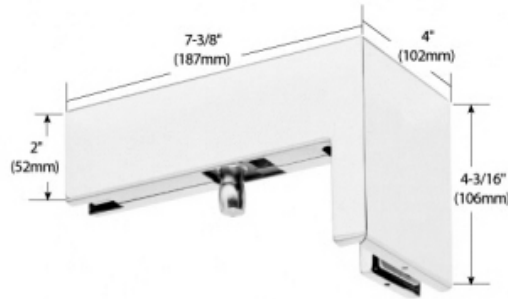
PF-TTPI

Transom Top Pivot Insert



PF-SLTP90RH

**Sidelite Mount 90° Top Pivot
With TTPI Insert Included**
2 3/4"(70mm) or 2 9/16"(65mm)
Backset (Field Adjustable)



Available 605, 629, 630 Please Specify When Ordering

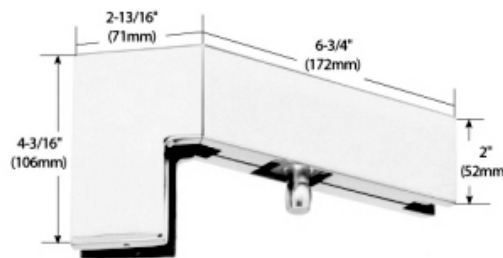
PF-TTPI

Transom Top Pivot Insert



PF-SLTTP135LH

**Sidelite Mount 135° Top Pivot
With TTPI Insert Included**
2 3/4"(70mm) or 2 9/16"(65mm)
Backset (Field Adjustable)



Available 605, 629, 630 Please Specify When Ordering

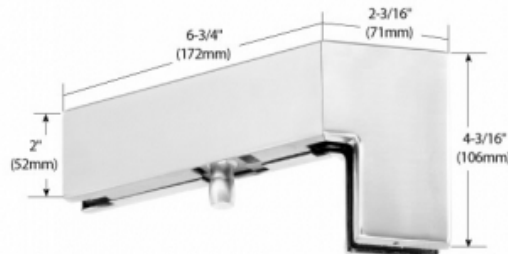
PF-TTPI

Transom Top Pivot Insert



PF-SLTTP135RH

**Sidelite Mount 135° Top Pivot
With TTPI Insert Included**
2 3/4"(70mm) or 2 9/16"(65mm)
Backset (Field Adjustable)



Available 605, 629, 630 Please Specify When Ordering

PF-TTPI

Transom Top Pivot Insert

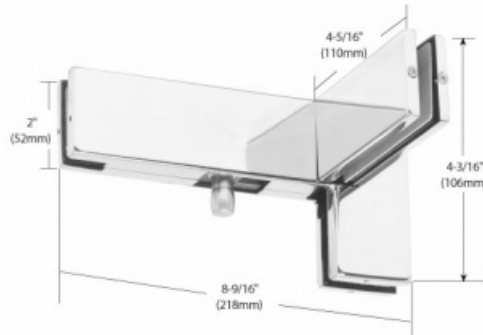


Model No
Description

Model No
Description

PF-SLTTPLH

Sidelite Mount Transom Top Pivot
With TTPI Insert Included
2 3/4" (70mm) or 2 9/16" (65mm)
Backset (Field Adjustable)



PF-TTPI

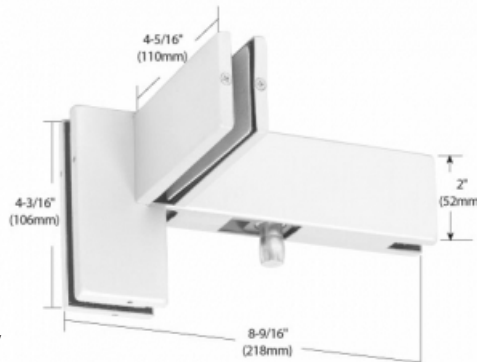
Transom Top Pivot Insert



Available 605, 629, 630 Please Specify When Ordering

PF-SLTP90RH

Sidelite Mount Transom Top Pivot
With TTPI Insert Included
2 3/4" (70mm) or 2 9/16" (65mm)
Backset (Field Adjustable)



PF-TTPI

Transom Top Pivot Insert



Available 605, 629, 630 Please Specify

PF-CMF

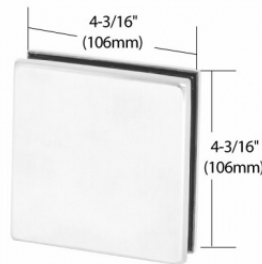
Ceiling Mount Fin Support Bracket



Available 605, 629, 630 Please Specify

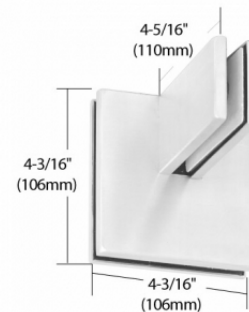
PF-PC4

Four Way Patch Connector

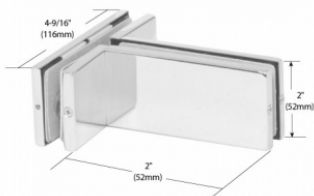


PF-PC4F (with Fin Bracket)

Four Way Patch Connector



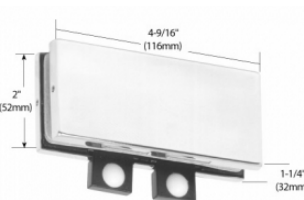
PF-CMF (with Fin Bracket)
Transom Mount Patch Connector



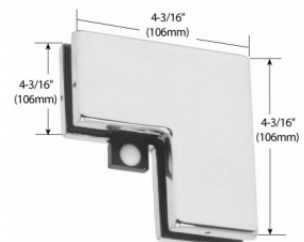
Available 605, 629, 630 Please Specify

PF-TMPC2RDS

Ceiling Mount Patch Connector
With Two Reversible Door Stops



PF-PC4F (with Fin Bracket)
Four Way Patch Connector



Model No Description	Model No Description	Model No Description
-------------------------	-------------------------	-------------------------

PF-HSMFSTP
Header Surface Mount
Free Swing Pivot



Available 605, 629, 630 Please Specify

PF-CDITP
Header Surface Mount
Free Swing Pivot



PF-HMWBTTP
Header Mount Walking Beam Pivot



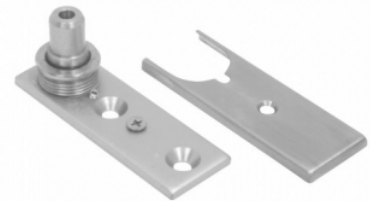
Available 605, 629, 630 Please Specify

PF-FSBP
Bottom Pivot (Free Swinging)



Available 605, 629, 630 Please Specify

PF-ADJBP
Adjustable Bottom Pivot



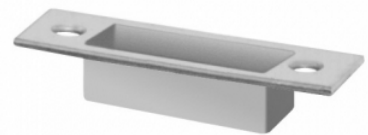
Available 605, 629, 630 Please Specify

PF-NALDPS
Dust Proof Strike For PF-NAL
(North American Style Lock)



Available 605, 629, 630 Please Specify

PF-ECFS
Easy Clean Floor Strike



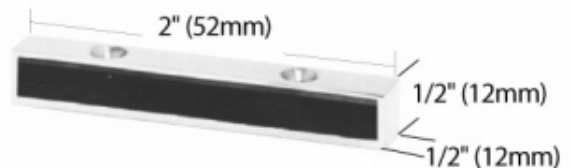
Available 605, 629, 630 Please Specify

PF-HM2DS
Header Mount Two Door Strike



Available 605, 629, 630 Please Specify

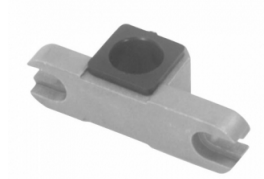
PF-HM1DS
Header Mount One Door Strike



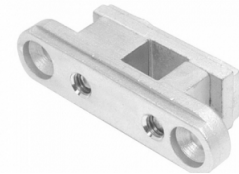
Available 605, 629, 630 Please Specify

Model No Description	Model No Description
-------------------------	-------------------------

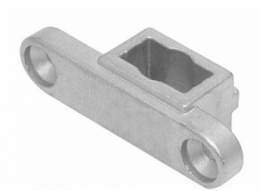
PF-TPI
Top Door Pivot Insert



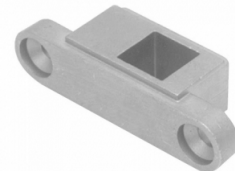
PF-TCI
Top Door Transom Insert



PF-BPI
Bottom Door Pivot Insert



PF-BFCI
Bottom Door Floor Closer Insert



PF-TTPI
Transom Top Pivot Insert



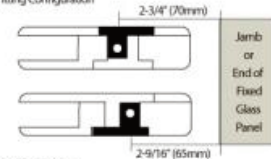
Important Information:

The PF30IN - DMTop Pivot Insert is reversible. When used with the Universal Series Transom Patch Fittings (see below), it allows for either (American 2-3/4" Pivot Backset) or (European 2-9/16" Pivot Backset) by simply turning the Top Pivot Insert around in the Transom Patch Fitting.

International Series Transom Patch Fittings

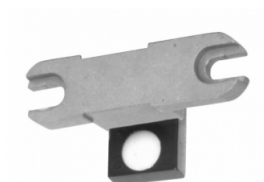
- i DPF30 Wall Mounted Transom Patch
- i DPF40 Sidelite Mounted Transom Patch
- i DPF41 Left Hand Sidelite Mounted Transom Patch with Support Fin
- i DPF41 Right Hand Sidelite Mounted Transom Patch with Support Fin
- i DPF51 Double Transom Patch with Support Fin

American - PF20 Top or PF10 Bottom
Door Patch Fitting Configuration



European - PF20 Top or PF10 Bottom
Door Patch Fitting Configuration

PF-TPDSI
Transom Patch Door Stop Insert



PF-TPKI
Transom Patch Keeper Insert

